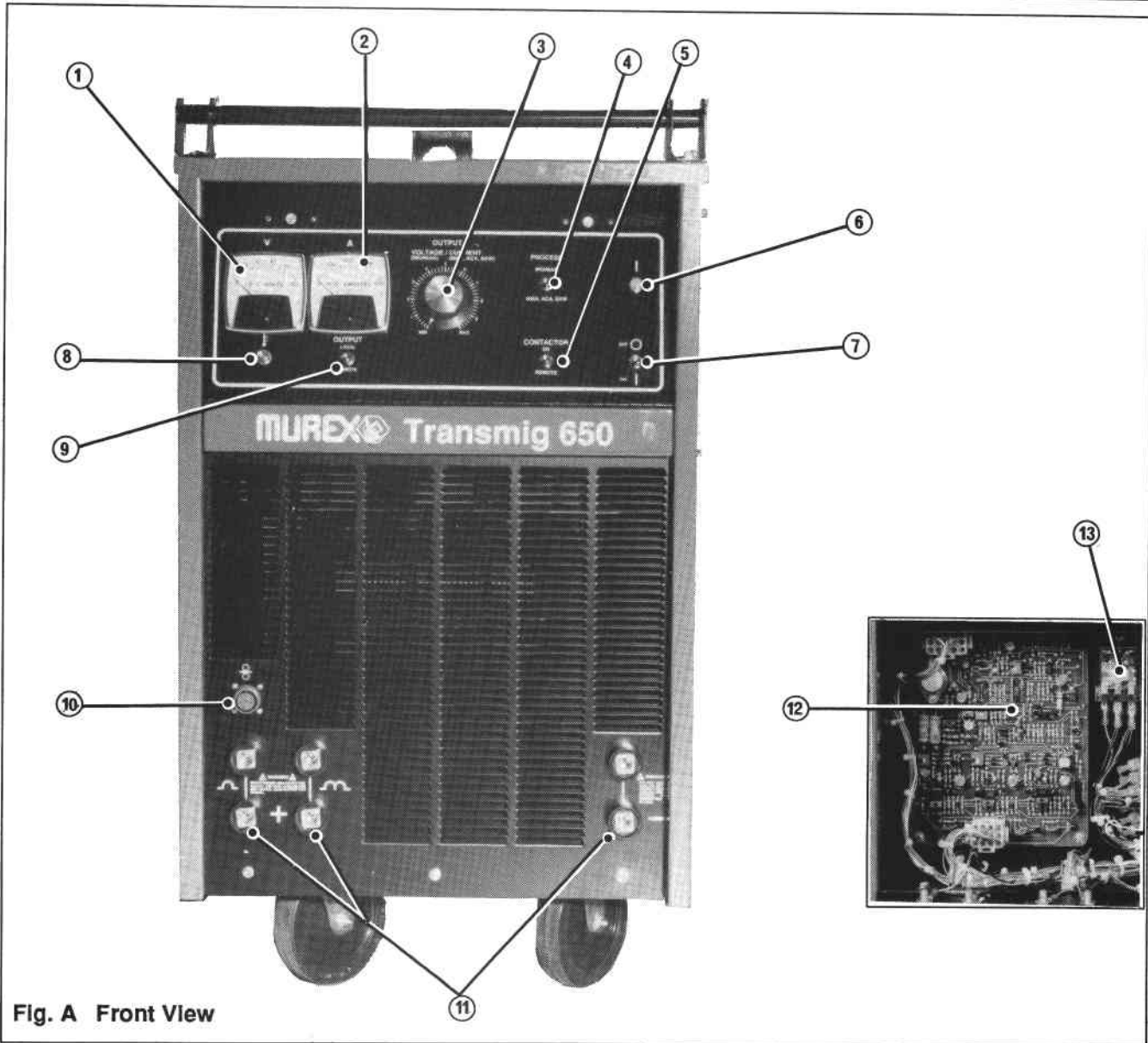


Fig. 8 Transmig 650 Circuit Diagram

Transmig 650 Parts List



Item	Part No.	Description	Ref.	Item	Part No.	Description	Ref.
1	1414890	Voltmeter 100Vdc	VM	10	1411754	8 way socket	J1
2	1414880	Ammeter 800Adc	AM	-	1411740	Plug for item 10	-
3	1407182	Potentiometer 10kΩ lin	R1	11	017242	Dinse socket	OTB
-	1414844	Knob for item 3	-	-	1380443	Plug for item 11 (70/95)	-
4	1411867	Switch SPST (Process)	S4	Inset			
5	1414601	Switch DPCO (Contactor)	S2	12	1414883	PCB control	PCB1
6	1413274	Lamp white	PL1	13	1413343	Relay 42Vac 3PDT	K2
7	1413343	Switch 3PST (Power)	S1				
8	1414842	Lamp yellow	PL2				
9	1411867	Switch SPST (Remote)	S3				

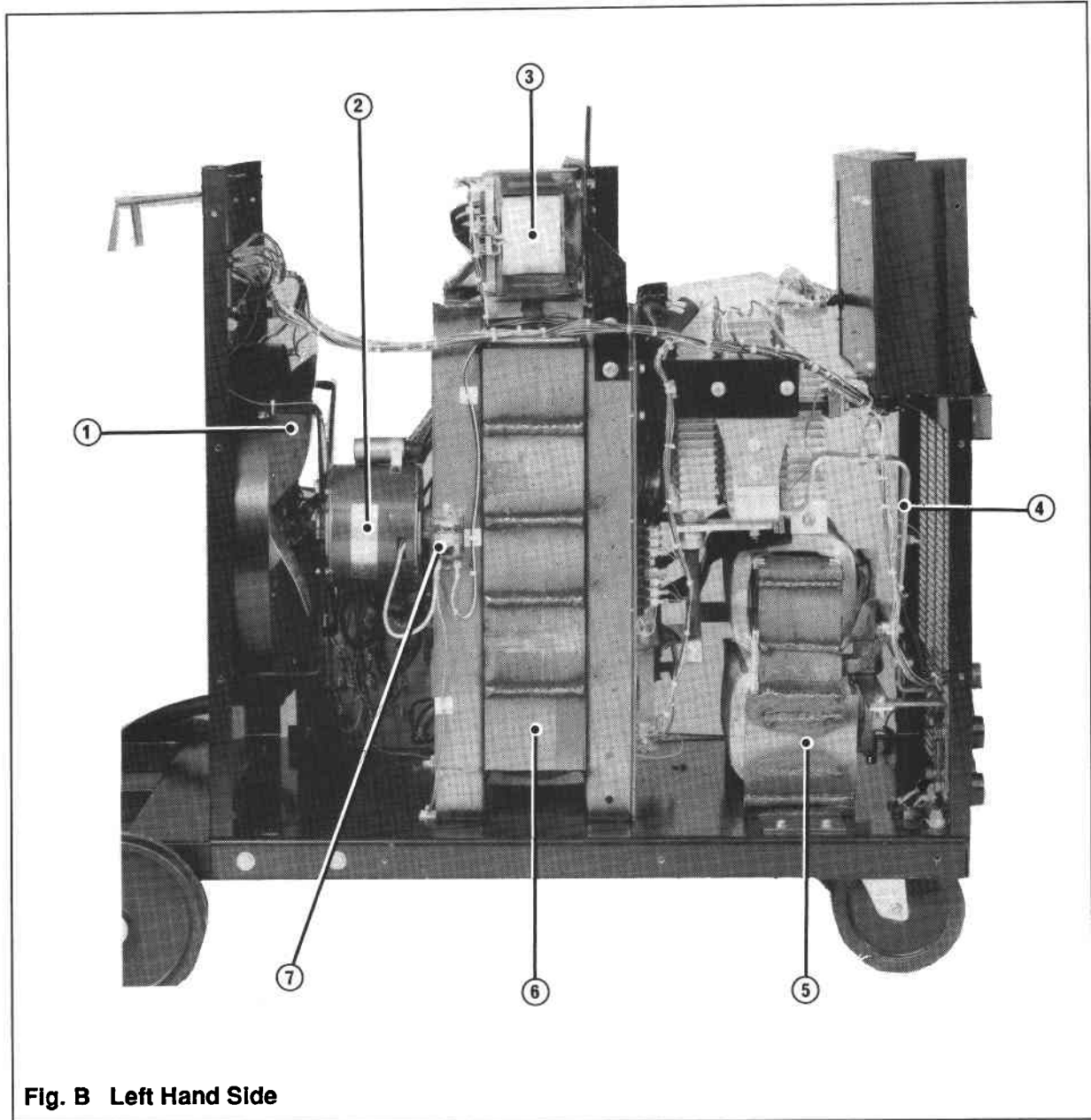


Fig. B Left Hand Side

Item	Part No.	Description	Ref
1	1414856	Fan blade	-
2	1414855	Fan motor	M1
3	1414854	Transformer control	T2
4	1414886	Shunt	SH
5	1414882	Inductor	L1
-	1414885	Thermal switch on item 4	TS6
6	1414887	Transformer main 220/380/415V	T1
-	1414888	Thermal switch on secondary	TS2
-	1414888	Thermal switch in primary	TS1
-	1414889	Thermal switch on core	TS5
7	1413350	Relay fan control	K4

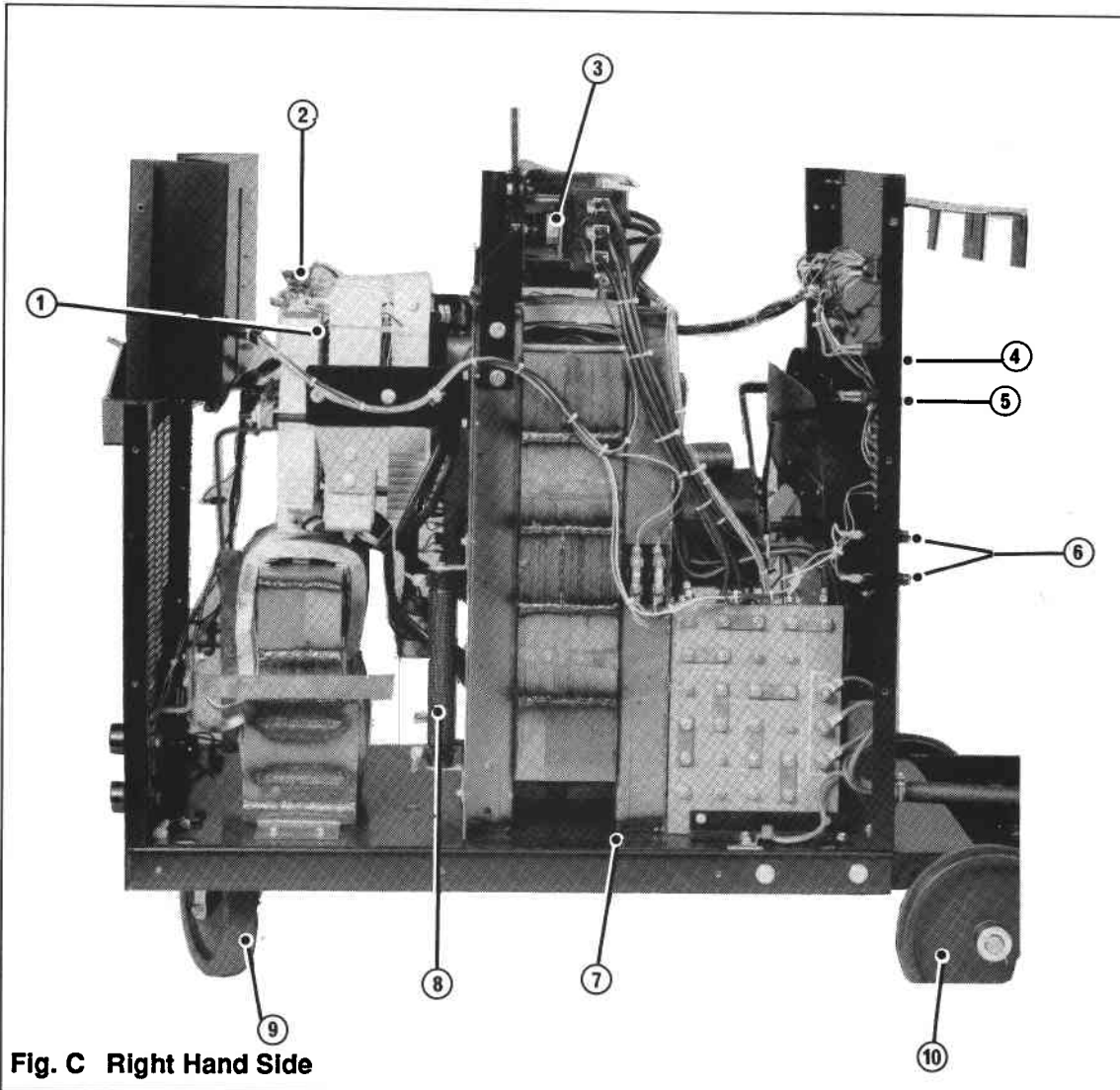


Fig. C Right Hand Side

Item	Part No.	Description	Ref.	Item	Part No.	Description	Ref
1	1414851	Thyristor (6 required)	SCR1-6	7	-	Fuse 10A 600V 10 x 38mm (2 required)	F1, F2
2	-	Capacitor 0.01 μ F 1Kv disc	C1-C6	8	1414884	Resistor 20 Ω 300W	R5
-	1414610	Thermal switch bridge	TS3	9	1414849	Castor wheel (2 required)	-
3	1414862	Contactur 110V	K1	10	1412203	Fixed wheel (2 required)	-
4	1407758	Circuit breaker 10A	CB1	-	-	Capacitor 0.02 μ F 1Kv disc	C7-9
5	1413622	Circuit breaker 5A	CB2	-	-	Capacitor 0.01 μ F 1Kv disc	C10-12
6	1411873	Fuseholder (2 required)	-	-	-		
-	-	Fuse 2A slow 1.1/4" for item 6	F3, F4				

OPTIONAL EXTRAS

OCE 2H Torch Water Cooling Unit (220V)	Part No. 1414013	CO2 Heater (115V)	Part No. 1020019
Water Hoses (2 required)	1414014	Digital Volt/Ammeter	
Water Adaptor Kit (for WFU)	1413647	(excludes installation)	TBA
		Swivel post	1414865