

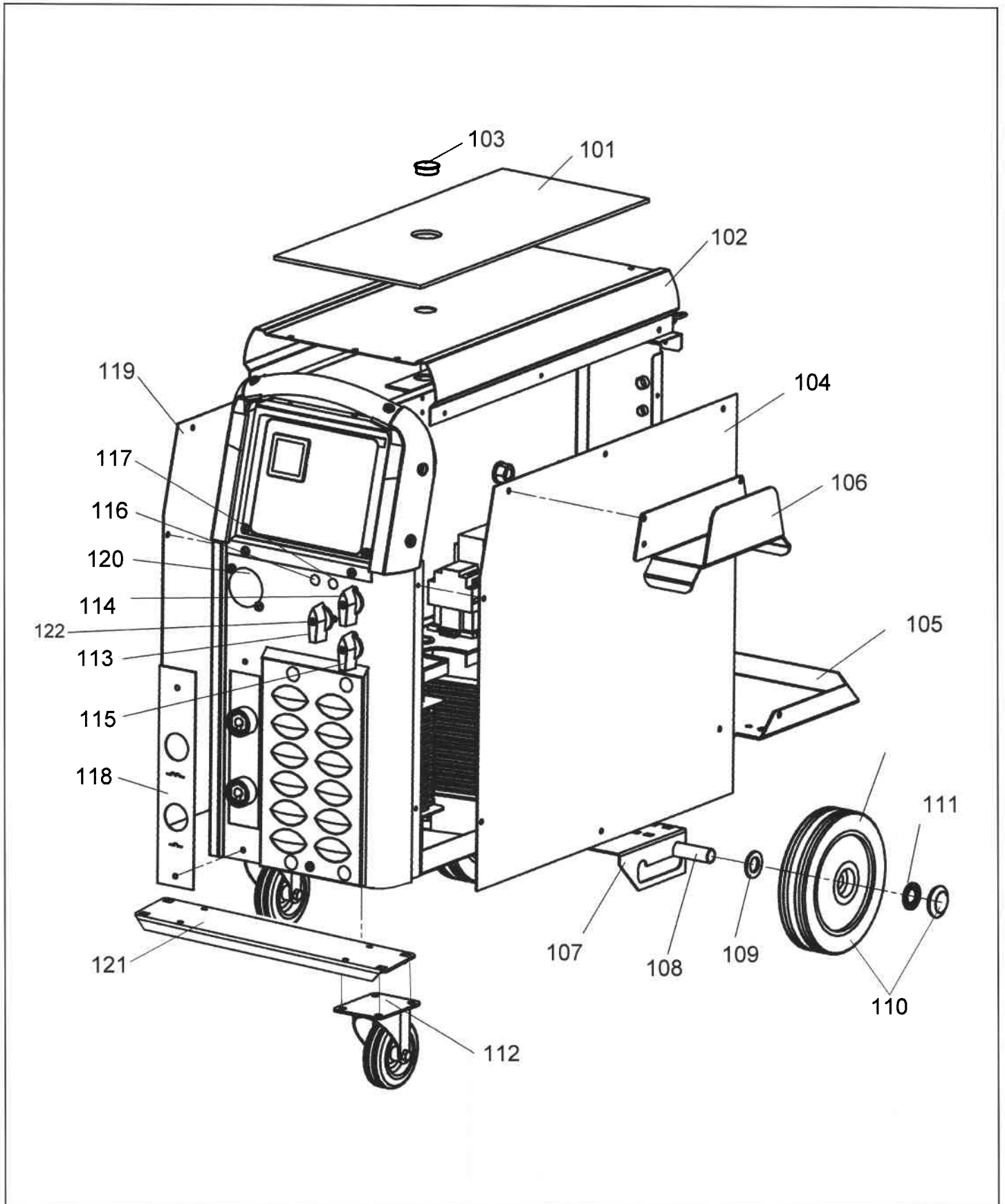
SPARE PARTS LISTS

Transmig 326S

(A) = accessory
C = component designation in the circuit diagram

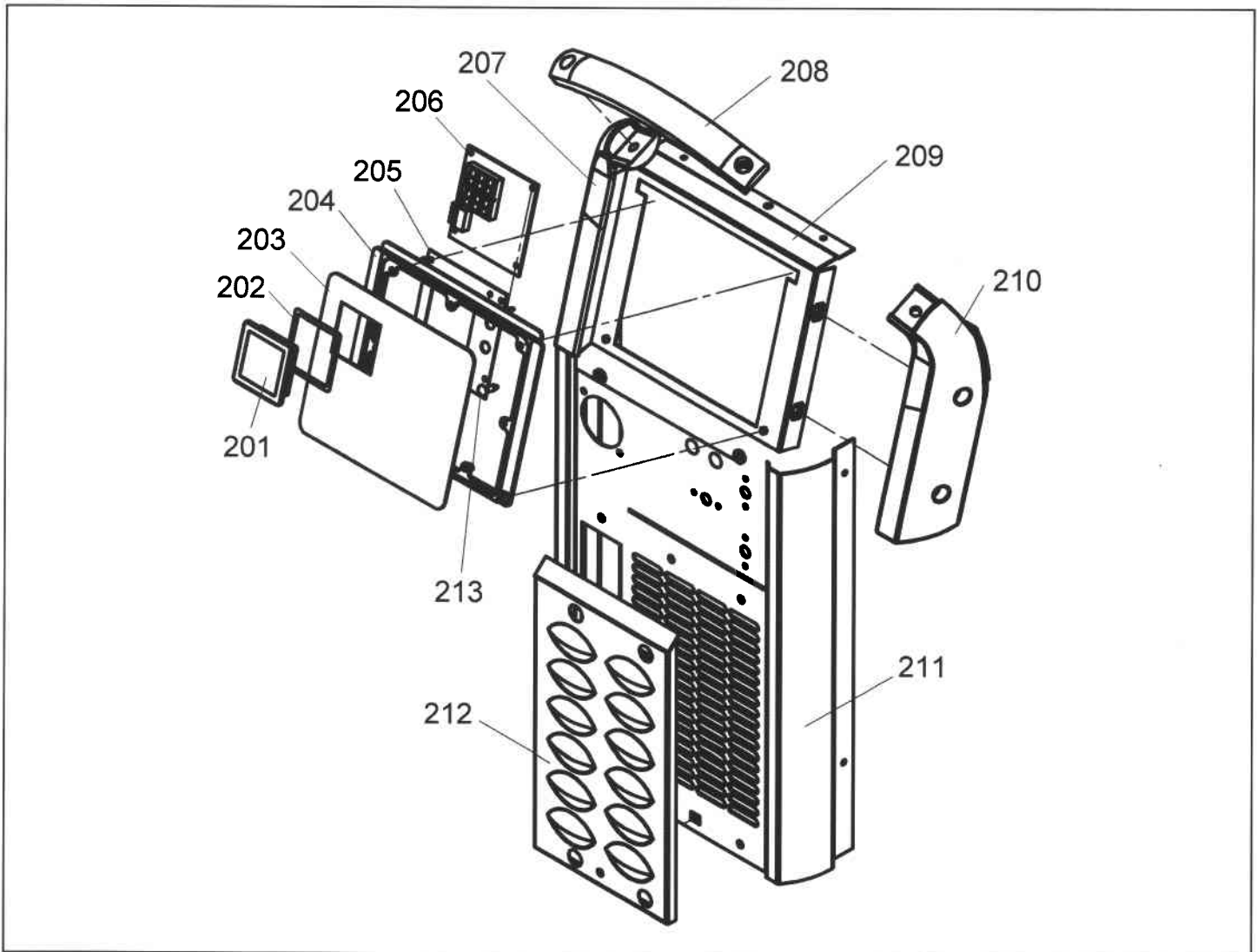
Item	Qty	Ordering no.	Denomination	Notes	C
101	1	0349 302 700	Rubber mat		
102	1	0349 302 696	Cover		
103	1		Blind plug	Ø31	
104	1		Side panel with text	Right	
105	1	0349 302 453	Shelf		
106			Holder (A)		
107	1	0349 302 318	Clamp		
108	1	0349 480 311	Shaft		
109	2	0349 481 044	Washer	Ø21	
110	2	0455 457 001	Wheel	Ø200	
111	2	0192 859 126	Locking washer	Ø200	
112	2	0349 483 461	Link wheel	Ø100	
113	1	0349 302 305	Switch		QF1
114	1	0193 945 001	Switch	10 step	SA1
115	1	0193 942 001	Switch	4 step	SA2
116	1	0369 733 002	Signal lamp	orange	HL2
117	1	0369 733 007	Signal lamp	white	HL1
118	1		OKC plate		
119	1		Side panel with text	Left	
120	1		Blind plug	Ø50	
121	1	0349 303 310	Support		
122	1	0349 302 253	Knob		

Transmig 326S



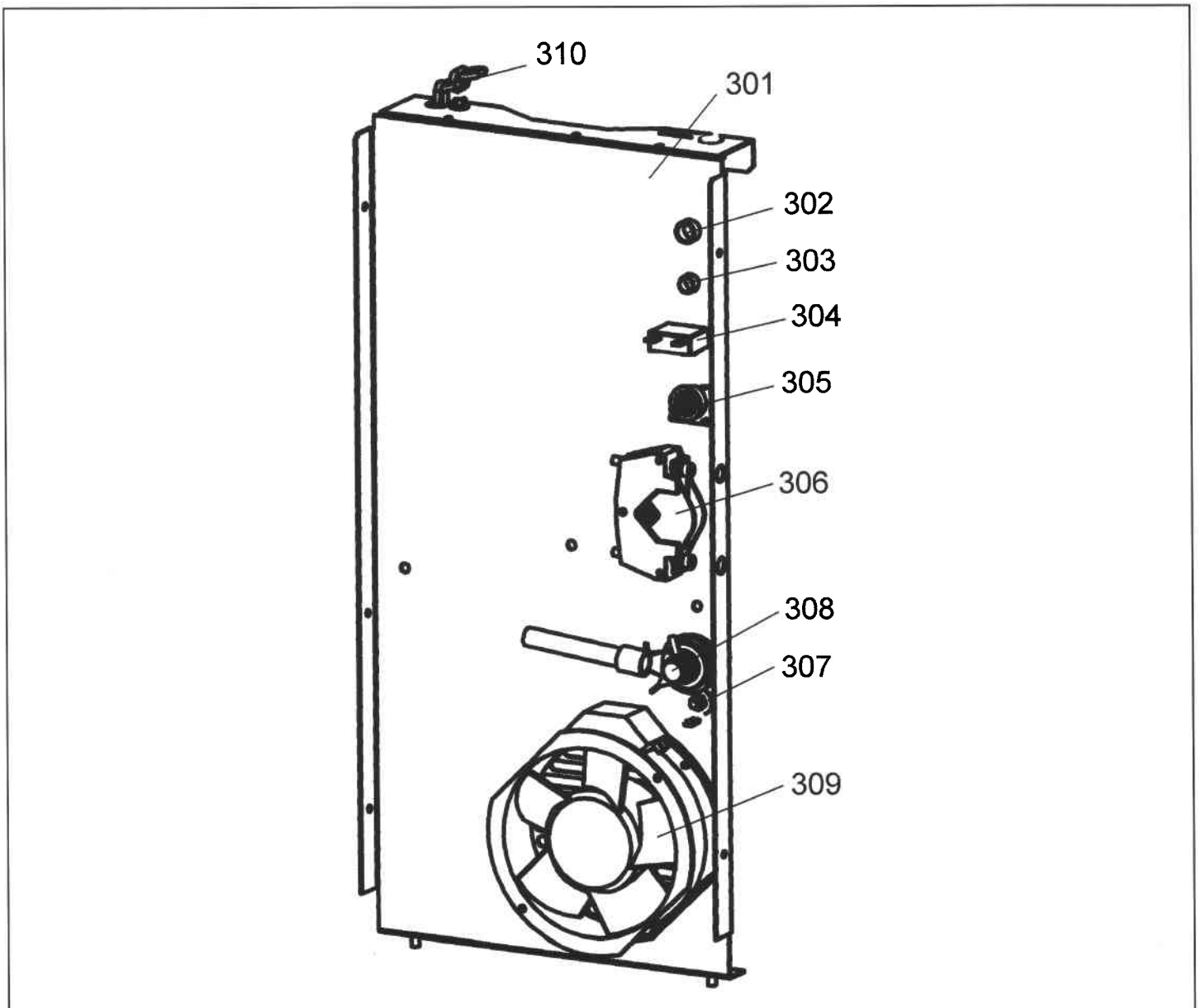
(A) = accessory
 C = component designation in the circuit diagram

Item	Qty	Ordering no.	Denomination	Notes	C
201	1	0455 172 001	Glass		AP2
202	1	0455 174 001	Seal		
203	1	0349 302 286	Panel		
204	1	0459 118 002	Protection frame		
205	1	0349 302 287	Plate		
206	1		Circuit-board (A)		
207	1	0349 302 283	Right corner		
208	1	0349 302 327	Handle		
209	1	0349 302 325	Upper front panel		
210	1	0349 302 282	Left corner		
211	1		Lower front plate		
212	1	0349 302 326	Grill		
213	3	0455 226 004	Spacer		



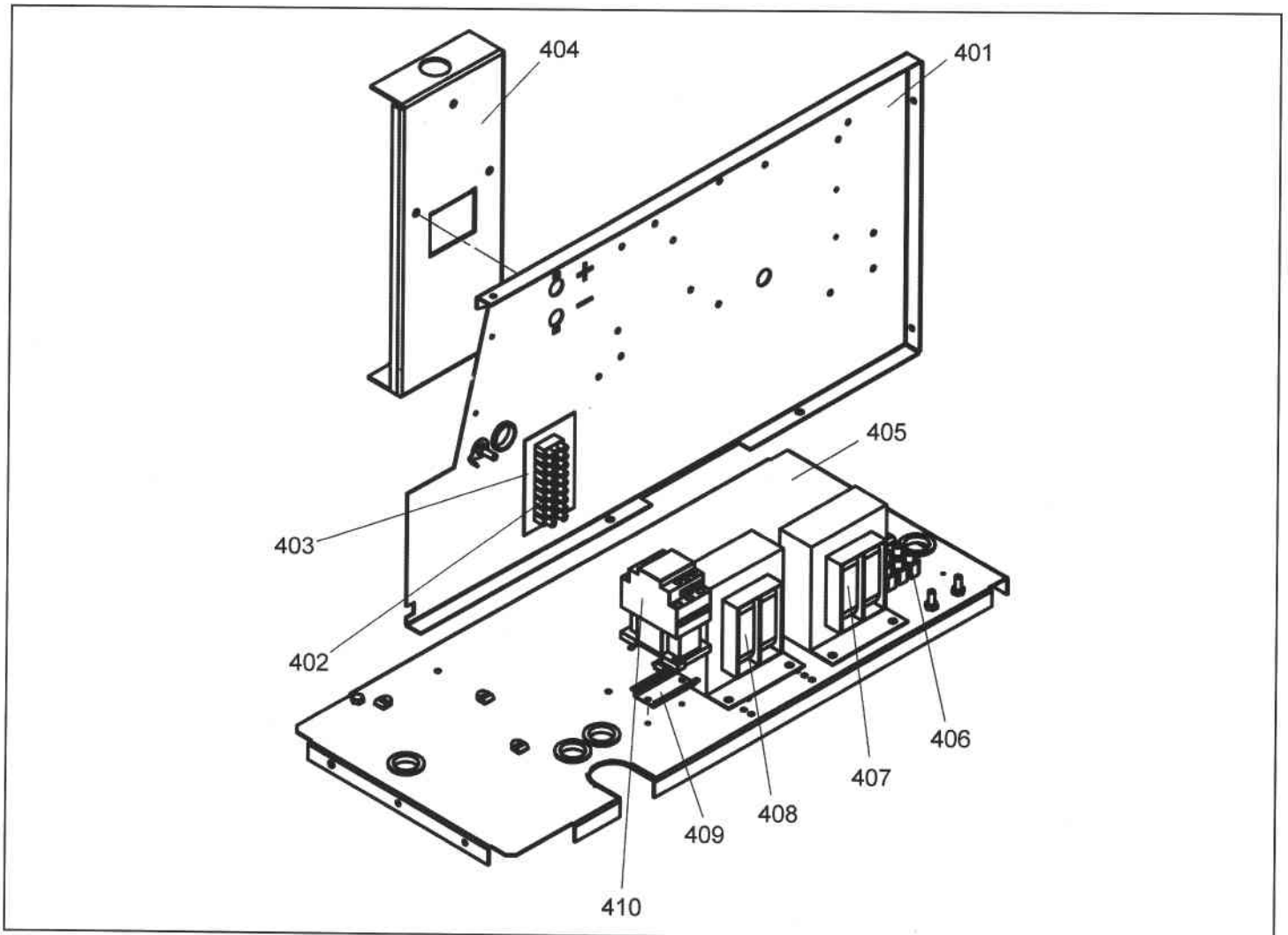
(A) = accessory
 C = component designation in the circuit diagram

Item	Qty	Ordering no.	Denomination	Notes	C
301	1	0349 302 321	Rear panel		
302	1		Blind plug	Ø16	
303	1		Blind plug	Ø13	
304	1	0193 586 102	Circuit breaker 1	0A	FU3
305	1	0368 544 005	Sleeve socket		XS1
306	1	0469 950 880	Cable inlet		
307	1	0349 303 303	Capacitor		C2
308	1	0160 362 881	Current terminal	1 pol	XS4
309	1	0349 483 510	Fan		EV1
310	1	0321 173 001	Securing chain		



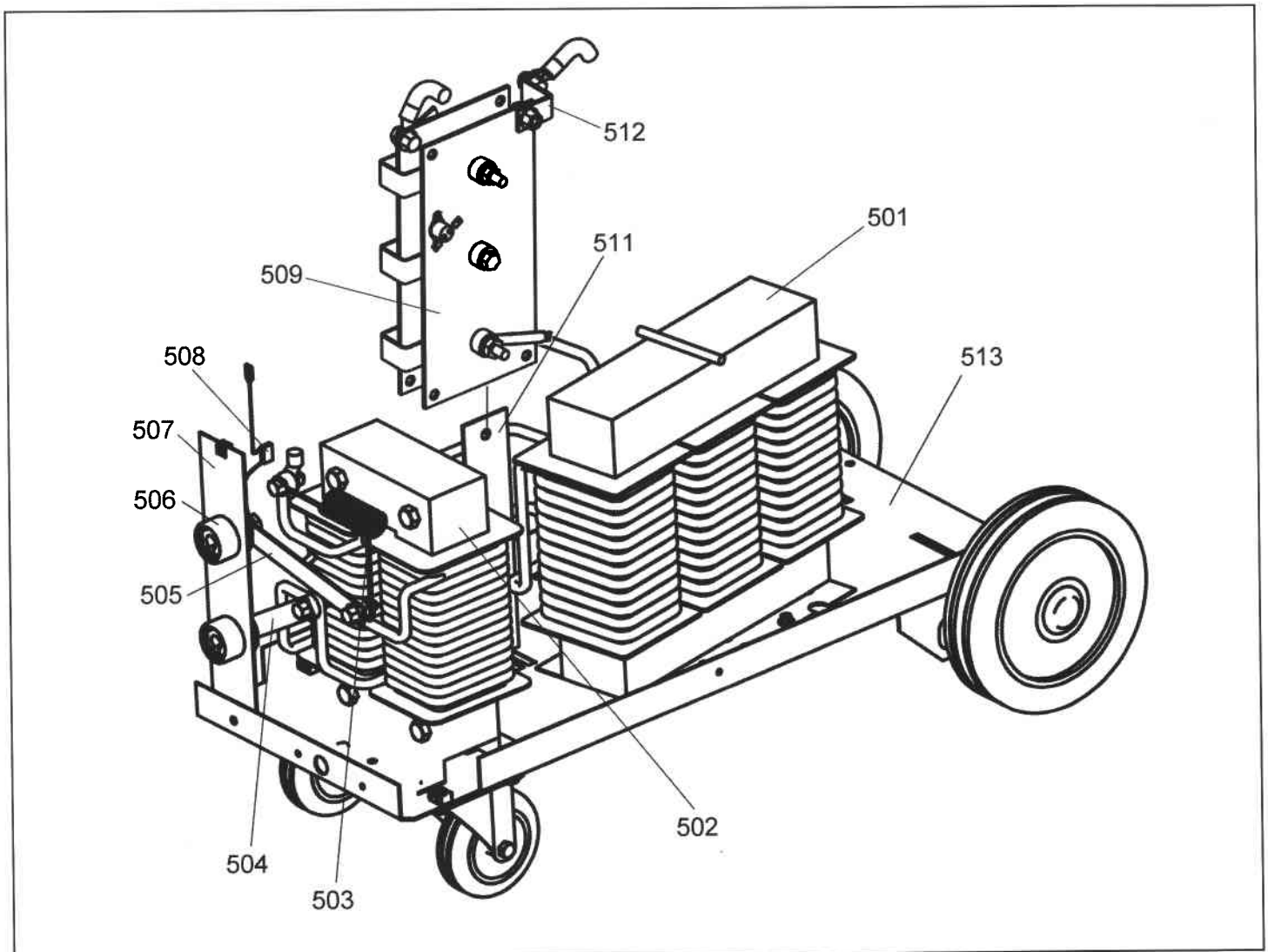
(A) = accessory
C = component designation in the circuit diagram

Item	Qty 400-415V	Qty 203-500V	Ordering no.	Denomination	Notes	C
401	1	1	0349 302 366	Intermediate plate		
402	1	1	0162 781 011	Terminal	$\frac{3}{4}$	XT2
403	1	-	0349 491 160	Plate		
	-	1	0349 491 163	Plate		
404	1	1	0349 302 705	Support		
405	1	1	0349 302 338	Intermediate plate		
406	1	1	0162 781 002	Terminal	$\frac{1}{4}$	XT3
407	1	1		Transformer (A)		TC2
408	1	-	0455 633 001	Transformer		TC1
	-	1	0455 634 001	Transformer		TC1
409	1	1	0349 491 596	Rail		
410	1	-	0193 297 103	Contactor		KM1
	-	1	0193 502 101	Contactor		KM1



(A) = accessory
 C = component designation in the circuit diagram

Item	Qty	Ordering no.	Denomination	Notes	C
501	1	0349 302 344	Transformer		TM1
502	1	0455 328 880	Inductor		L1
503	1	0349 302 349	Resistor		R1
504	1	0349 492 823	Rail		
505	1	0349 492 824	Rail		
506	2	0160 362 881	Current terminal		XS2 XS3
507	1	0349 302 348	Plate		
508	1	0349 302 352	Capacitor C1		
509	1	0349 302 346	Diode bridge V1-V6		
511	1	0349 302 354	Bracket		
512	1	0455 495 001	Rail		
513	1	0349 302 317	Bottom plate		



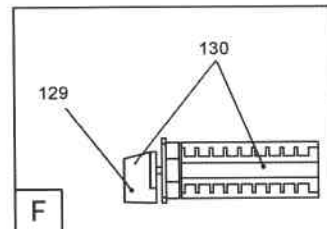
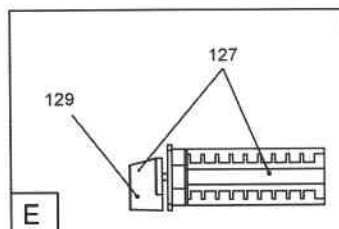
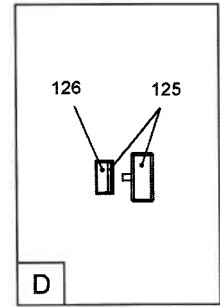
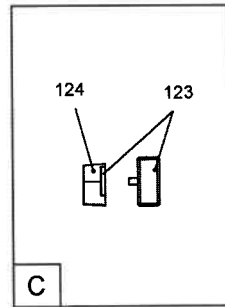
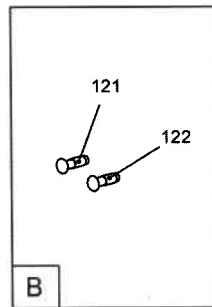
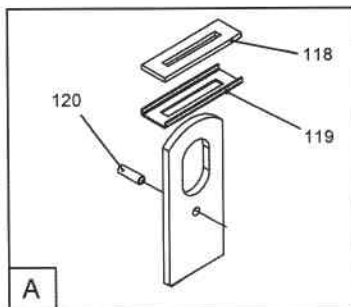
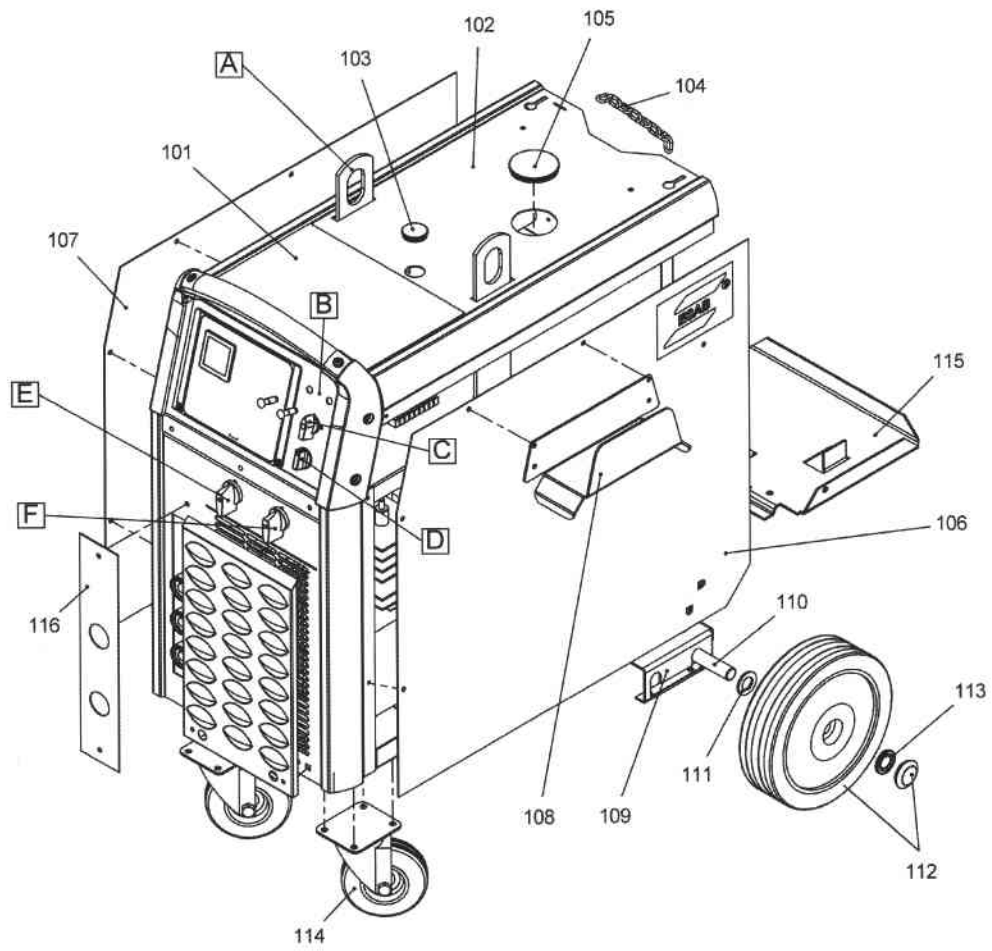
SPARE PARTS LISTS

Transmig 406S & 406SW

(A) = accessory
C = component designation in the circuit diagram

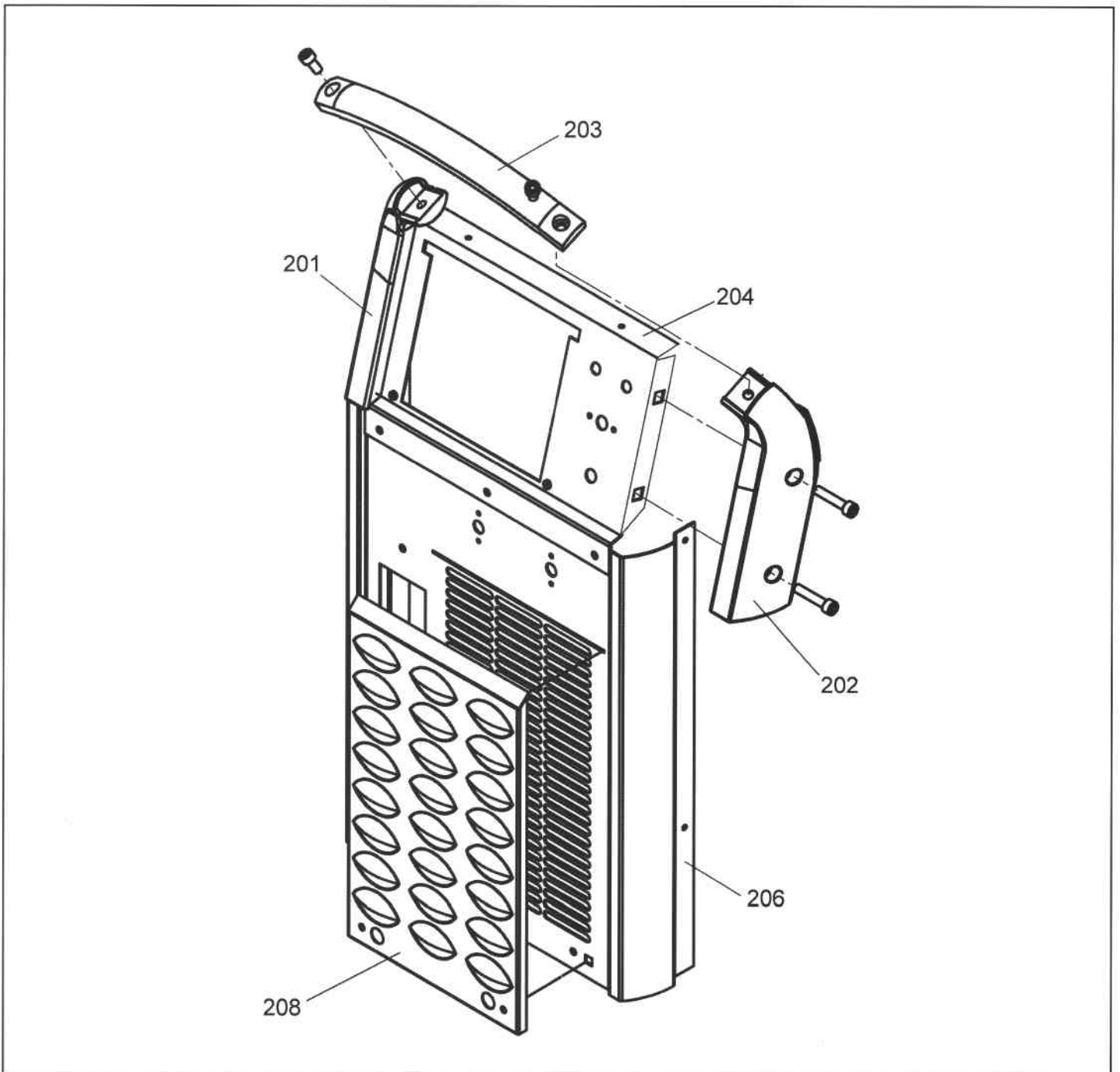
Item	Ordering no.	Denomination	Notes	C
101	0349 302 564	Rubber mat		
102	0349 302 547	Cover		
103		Blind plug	Ø31	
104	0321 173 001	Securing chain	L=700	
105		Blind plug	Ø66	
106		Side panel with text	right	
107		Side panel with text	left	
108		Holder (A)		
109	0349 302 524	Clamp		
110	0349 490 746	Shaft		
111	0215 100 037	Washer	Ø36/21x3mm	
112	0469 872 001	Wheel	Ø250	
113	0192 859 126	Locking washer		
114	0469 873 001	Castor wheel	Ø125mm; h=150mm	
115	0349 302 558	Shelf		
116		OKC plate		
118	0468 797 001	Seal		
119	0468 796 001	Support plate		
120	0349 480 394	Roll pin		
121	0369 733 005	Signal lamp	orange	H2
122	0349 302 712	Signal lamp	white	H1
123	0349 303 552	Switch		QF1
124	0349 303 553	Knob		
125	0349 302 305	Switch	only in machine with water cooling	SA1
126	0349 302 253	Knob	only in machine with water cooling	
127	0193 942 001	Switch		QF2
129	0349 302 306	Knob		
130	0193 945 001	Switch		QF3

Transmig 406S & 406SW



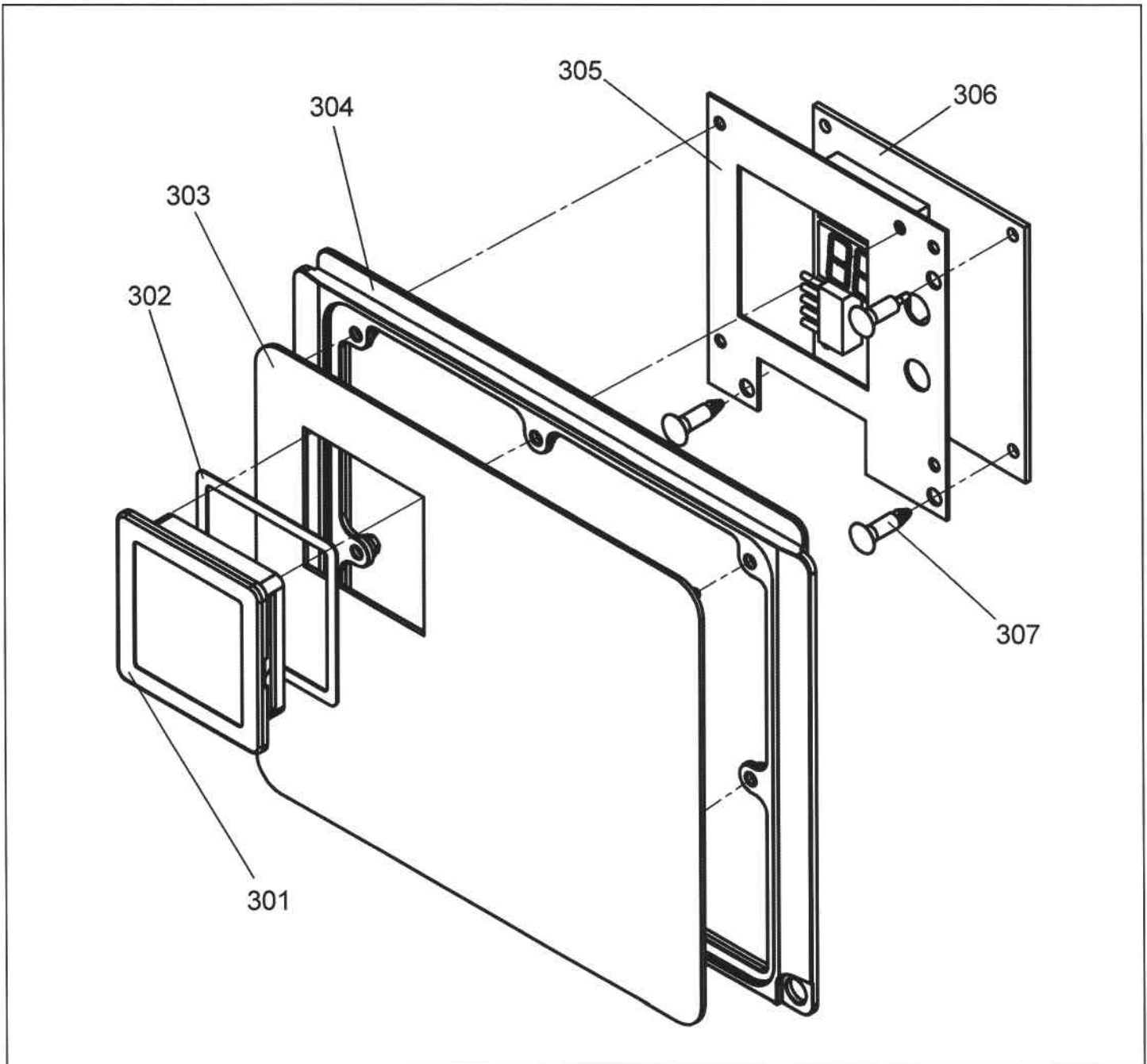
(A) = accessory
 C = component designation in the circuit diagram

Item	Ordering no.	Denomination	Notes	C
201	0349 302 283	Right corner	With text. Only for 406SW	
202	0349 302 282	Left corner		
203	0349 302 538	Handle		
204	0349 302 535	Upper front panel		
206	0349 302 534	Lower front panel		
208	0349 302 537	Grill		



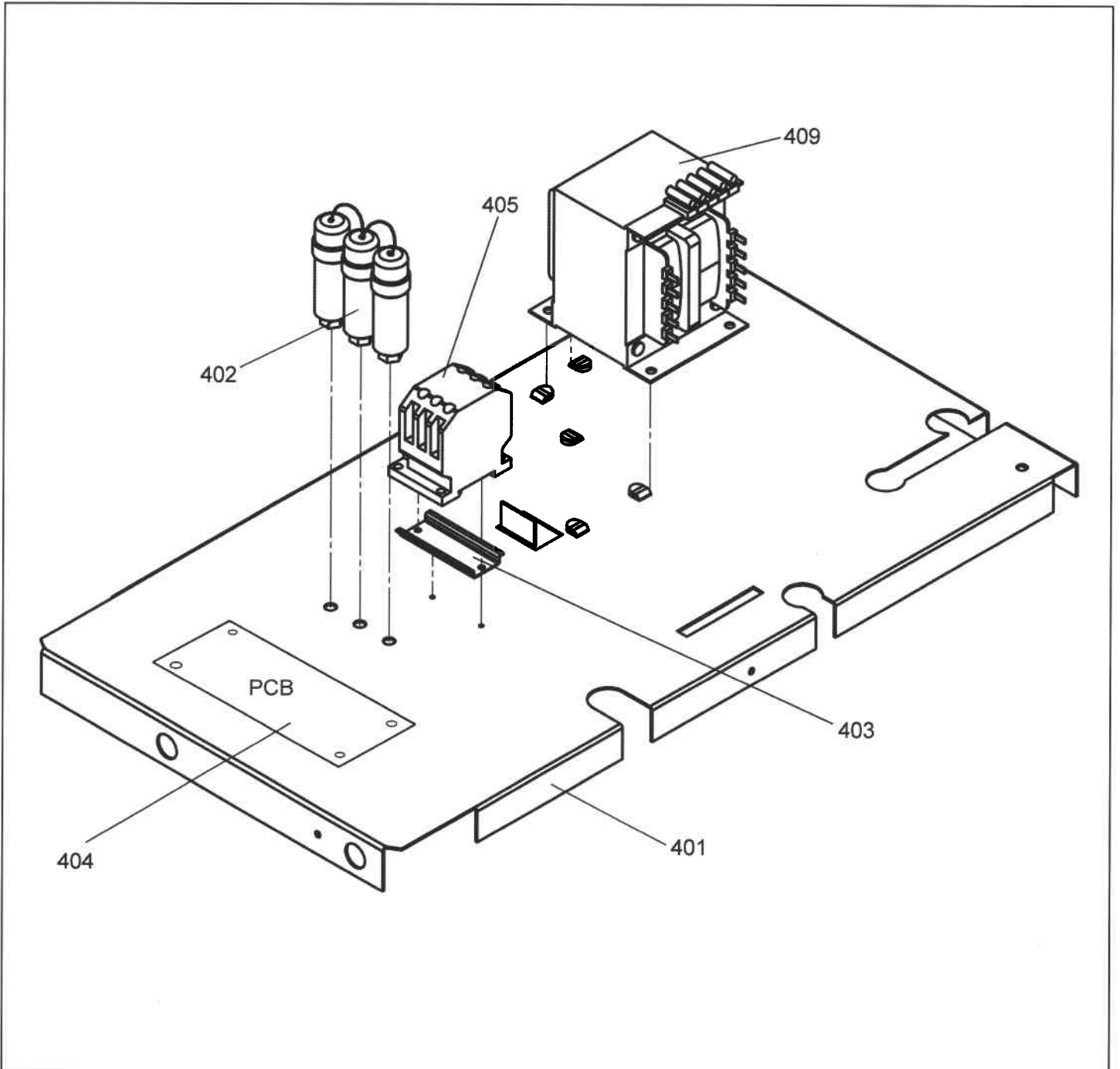
(A) = accessory
 C = component designation in the circuit diagram

Item	Ordering no.	Denomination	Notes	C
301	0455 172 001	Glass		
302	0455 174 001	Seal		
303	0349 302 286	Panel		
304	0459 118 002	Protection frame		
305	0349 302 287	Plate		
306	0349 495 934	Circuit - board (A)	Included in digital instrument (A) P1	
307		Spacer	Included in digital instrument (A)	



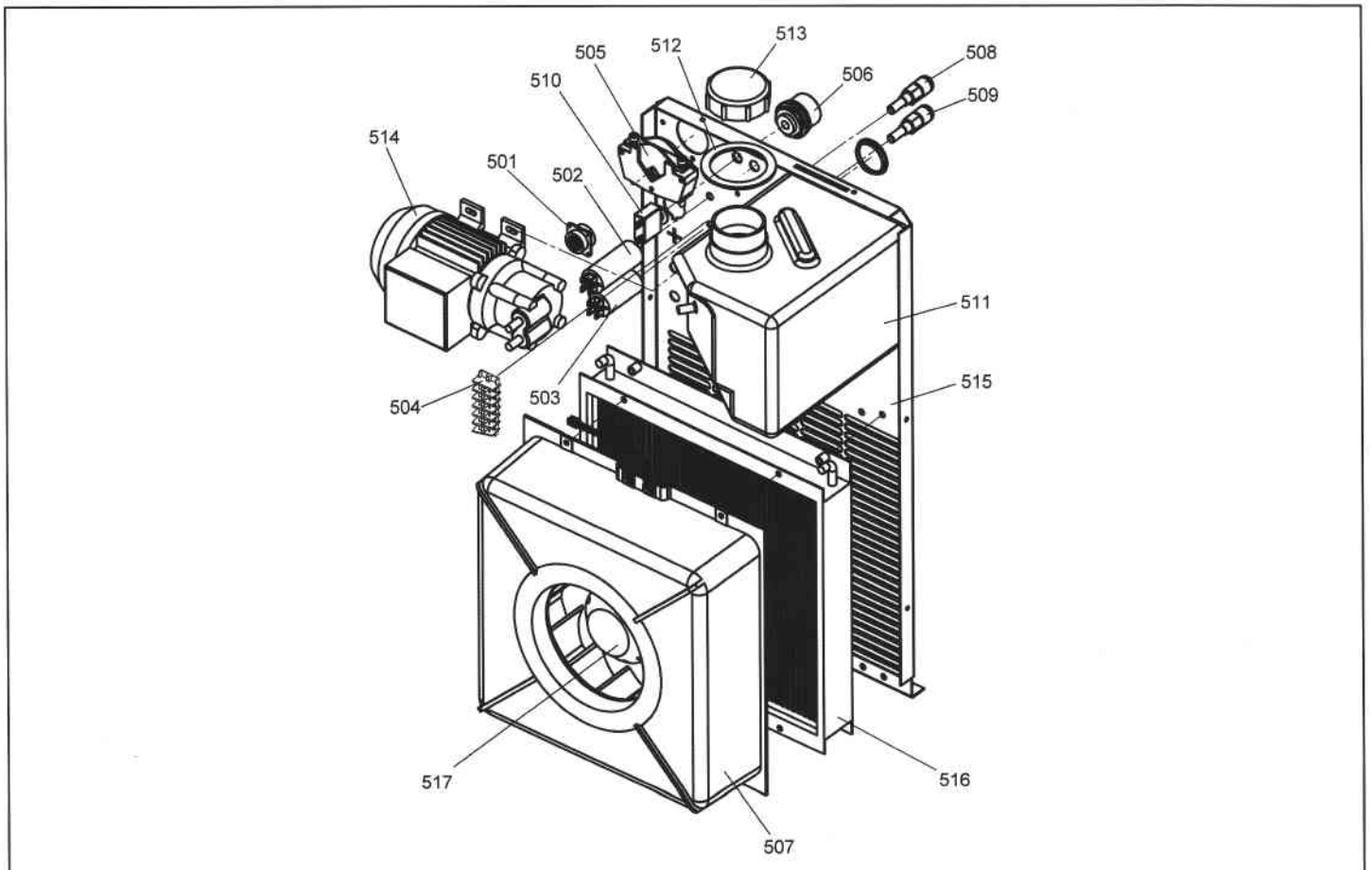
(A) = accessory
 C = component designation in the circuit diagram

Item	Ordering no.	Denomination	Notes	C
401	0349 302 527	Intermediate plate		
402	0349 303 025	Filter		C1, C2, C3
403	0349 302 421	Rail	400-415V	
404	0349 302 392	Circuit board		AP1
405	0193 297 103	Contactors	400-415V	KM1
409	0469 882 001	Control transformer	400-415V	TC1



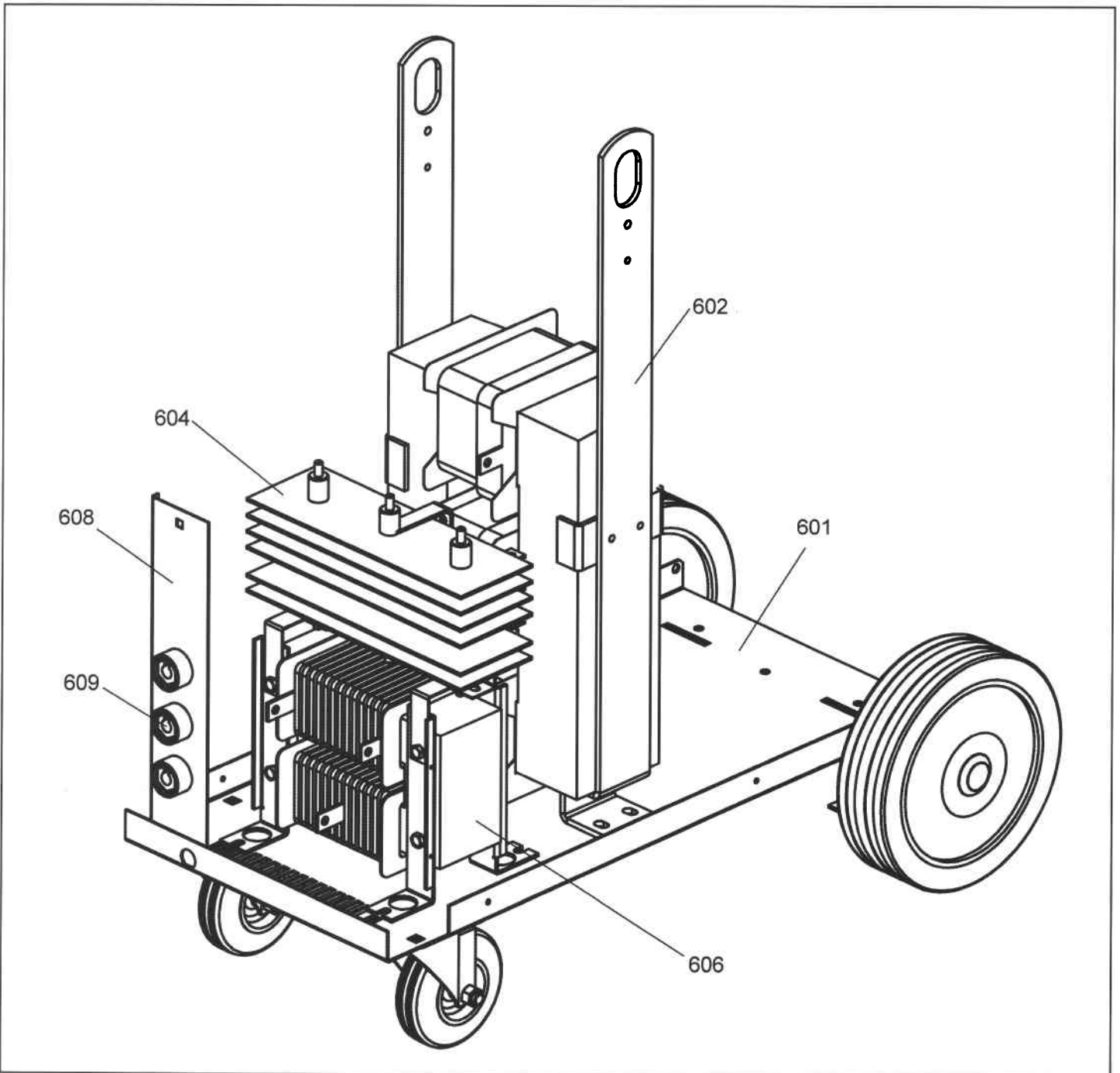
(A) = accessory
 C = component designation in the circuit diagram

Item	Ordering no.	Denomination	Notes	C
501	0368 544 005	Sleeve socket	23 pole	XS1
502	0191 085 203	Capacitor	3uF 400V	C4
503	0191 085 206	Capacitor	6uF 400V	C5
504	0466 884 008	Connection block	8 pole	XT1
505	0469 950 880	Cable inlet		
506	0160 362 881	Current terminal XS5		
507	0469 893 001	Fan housing		
508	0365 803 001	Water connection	Female, red, with non-return valve. For 406SW	
509	0365 803 012	Water connection	Female, blue, with non-return valve. For 406SW	
510	0193 586 102	Circuit breaker		F1
511	0469 689 001	Water tank	Only 406SW	
512	0366 481 004	Seal	Only 406SW	
513	0469 689 002	Cover	Only 406SW	
514	0349 483 487	Pump	Only 406SW	M1
515	0349 302 531	Rear panel		
516	0469 688 001	Radiator	Only 406SW	
517	0369 827 001	Fan		EV1



(A) = accessory
 C = component designation in the circuit diagram

Item	Ordering no.	Denomination	Notes	C
601	0349 302 523	Bottom plate		
602	0349 302 772	Transformer with switches		TM1
604	0455 488 880	Diode bridge		V1
606	0349 302 498	Bracket		
607	0349 302 778	Inductor		L1
609	0160 362 881	Current terminal		XS2, XS3, XS4





Murex Welding Products Limited
Hertford Road, Waltham Cross,
Herts. EN8 7RP. England
Telephone: (01992) 710000
Facsimile: (01992) 719191
www.murexwelding.co.uk

Pt. No. 100583
Issue 1