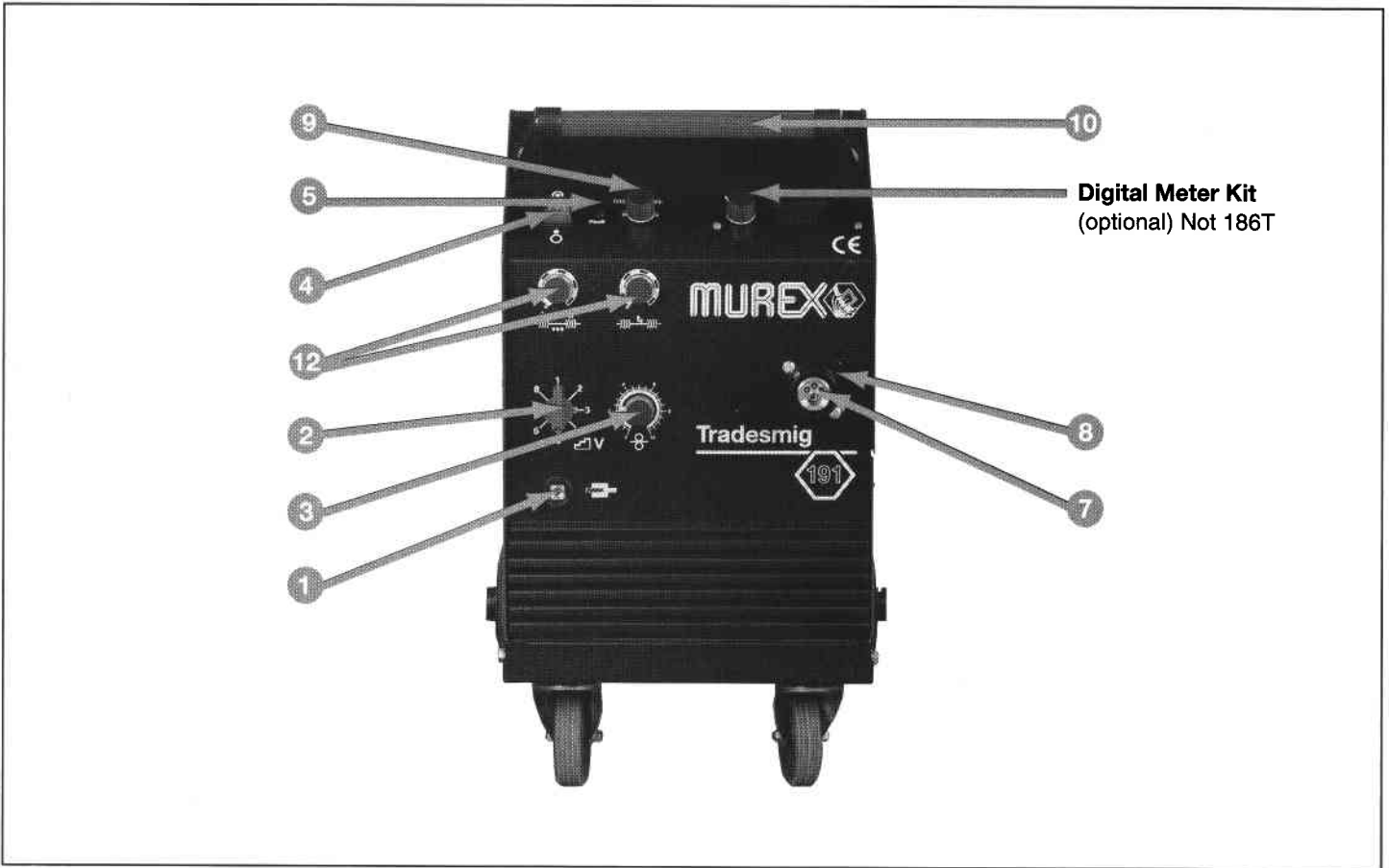
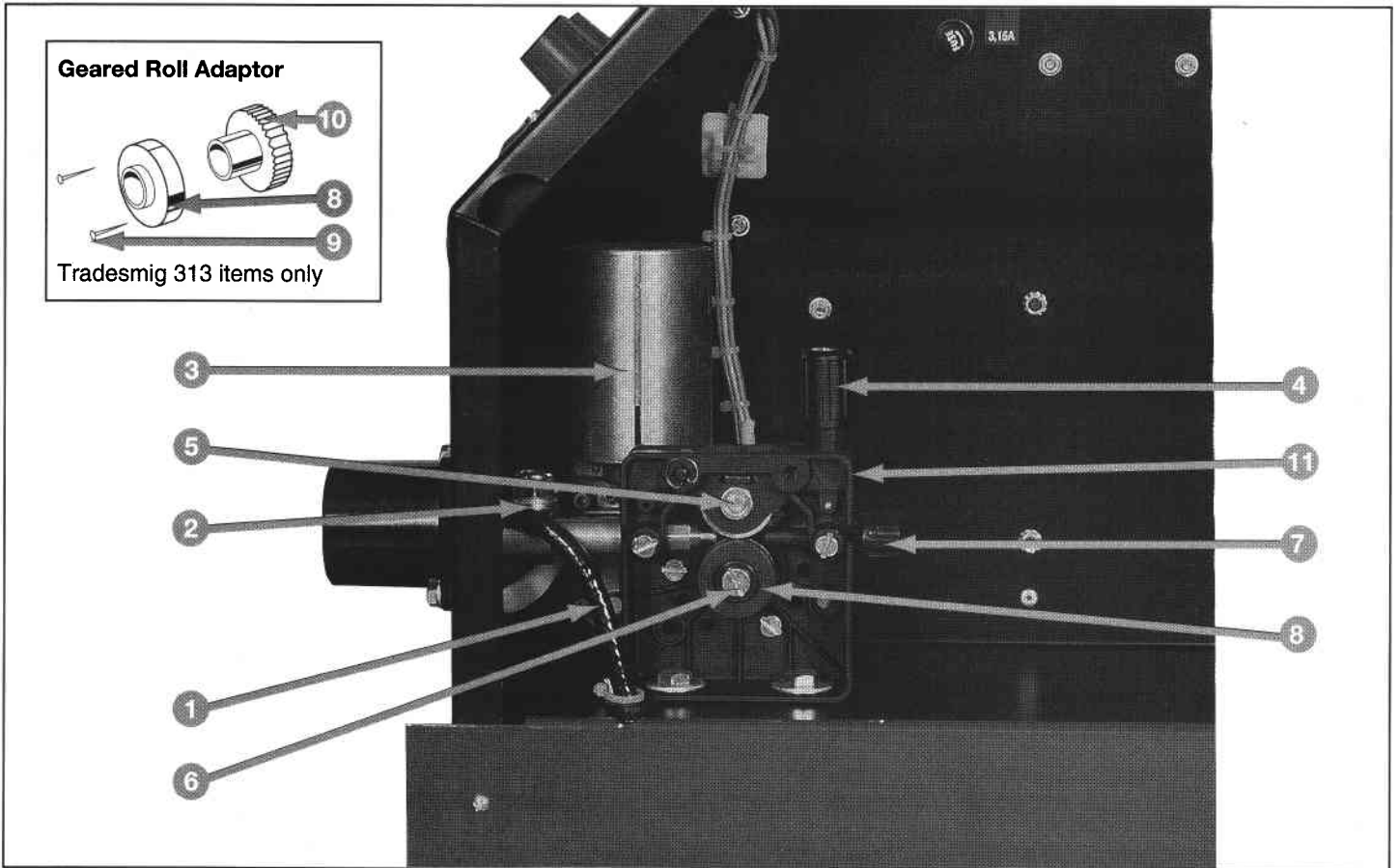


DESCRIPTION	186T	191	251	253	313
1 Diode bridge	1415531	1415531	1415532	1415533	1415534
2 Auxiliary transformer	1416132	1415528	1415528	1415557	1415557
3 Gas valve	1411464	1411464	1411464	1411464	1411464
4 Fan	1411477	1411477	1411477	1411477	1411477
5 Capacitor	1411461	1411461	1411461	-	Item 11 positioned here
6 Fuse holder 20mm	1411514	1411514	1411514	1411514	1411514
7 Fuse holder 30mm	1415559	1415559	1415559	1415559	1415559
- Fuse 1.6A 30mm	1415019	1415019	1415019	1415019	1415019
- Fuse 1A 20mm	1411490	1411490	1411490	1411490	1411490
- Fuse 3.15A 20mm	1411486	1411486	1411486	-	-
- Fuse 6.3A 20mm	-	-	-	1413466	1413466
8 Printed circuit board	1416133	1413467	1413467	1413467	1413467
9 Resistor	1413422	1413422	1413422	1413422	1413422
10 Main contactor	1415529	1415539	1415529	1415539	1415529
11 Inductor	1415541	1415540	1415541	1514442	1415543
12 Main transformer	1415536	1415535	1415536	1415537	1415538
13 Thermostat	1415558	1415558	1415558	1415558	1415558
14 Front castor tray (complete)	1415547	1415547	1415547	1415547	1415547
15 Axle assembly	1415548	1415548	1415548	1415548	1415548
16 Wheel	1413488	1413488	1413488	1413488	1413488
17 Chain	1412481	1412481	1412481	1412481	1412481
18 Thermal switch	1413463	1413463	1413463	1413463	1413463



DESCRIPTION	186T	191	251	253	313
1 DINSE Socket	17242	1404314	17242	17242	17242
- Plug for item 1	1380441	1380444	1380441	1380441	1380441
2 Switch 6 position	-	-	1411459	1411460	1415562
Switch 8 position	1413440	1413440	-	-	-
Switch 2 position	-	-	1415561	-	1413441
- Knob for item 2	1413442	1413442	1413442	1413442	1413442
3 Potentiometer	1411472	1411472	1411472	1411472	1411472
- Knob for item 3	1415545	1415545	1415545	1415545	1415545
4 Switch ON/OFF	1415556	1415556	1415556	1415556	1415556
5 Fault lamp	1413447	1413447	1413447	1413447	1413447
6 Digital Meter Kit (optional)	N/A	1415544	1415544	1415560	1415560
7 Central adaptor	1413108	1409035	1409035	1409035	1409035
8 Central adaptor shroud	N/A	1411523	1411523	1411523	1411523
9 Switch process select	N/A	1413448	1413448	1413448	1413448
10 Handle	1415546	1415546	1415546	1415546	1415546
12 Potentiometer	N/A	1413443	1413443	1413443	1413443
- Knob for item 12	N/A	1415545	1415545	1415545	1415545



DESCRIPTION	186T	191	251	253	313
1 Guide tube	1413108	1413455	1413455	1413455	1413455
2 Clamp	1413108	1413453	1413453	1413453	1413453
- Guide tube liner	1413456	1413456	1413456	1413456	1413881
3 Motor	1415007	1415530	1415530	1415530	1415530
4 Pressure device	1413897	1413897	1413897	1413897	1413897
5 Pressure arm complete	1415001	1413101	1413101	1413101	1413451
6 Feed roll retaining screw	1413104	1413104	1413104	1413104	-
- Woodruff key	1411549	1411549	1411549	1411549	1411549
7 Inlet guide	1413103	1413103	1413103	1413103	1413103
8 Feed roll 0.6 - 0.8	1411470	1411470	1411470	1411470	1409001
Feed roll 0.8 - 1.0	1411471	1411471	1411471	1411471	1413459
Feed roll 1.0 - 1.2S	1411489	1411489	1411489	1411489	1413460
9 Screws (293 only)	-	-	-	-	1414800
10 Geared adaptor (293 only)	-	-	-	-	1413452
- Reel hub assembly	1411467	1411467	1411467	1411467	1411467
- Feed roll block (complete)	-	-	-	-	1413450
11 Feed block casing	1413106	1413106	1413106	1413106	1413106



Murex Welding Products Limited
Hertford Road, Waltham Cross,
Herts. EN8 7RP. England
Telephone: (01992) 710000
Facsimile: (01992) 719191
www.murexwelding.co.uk

Pt. No. 100575
Issue 1