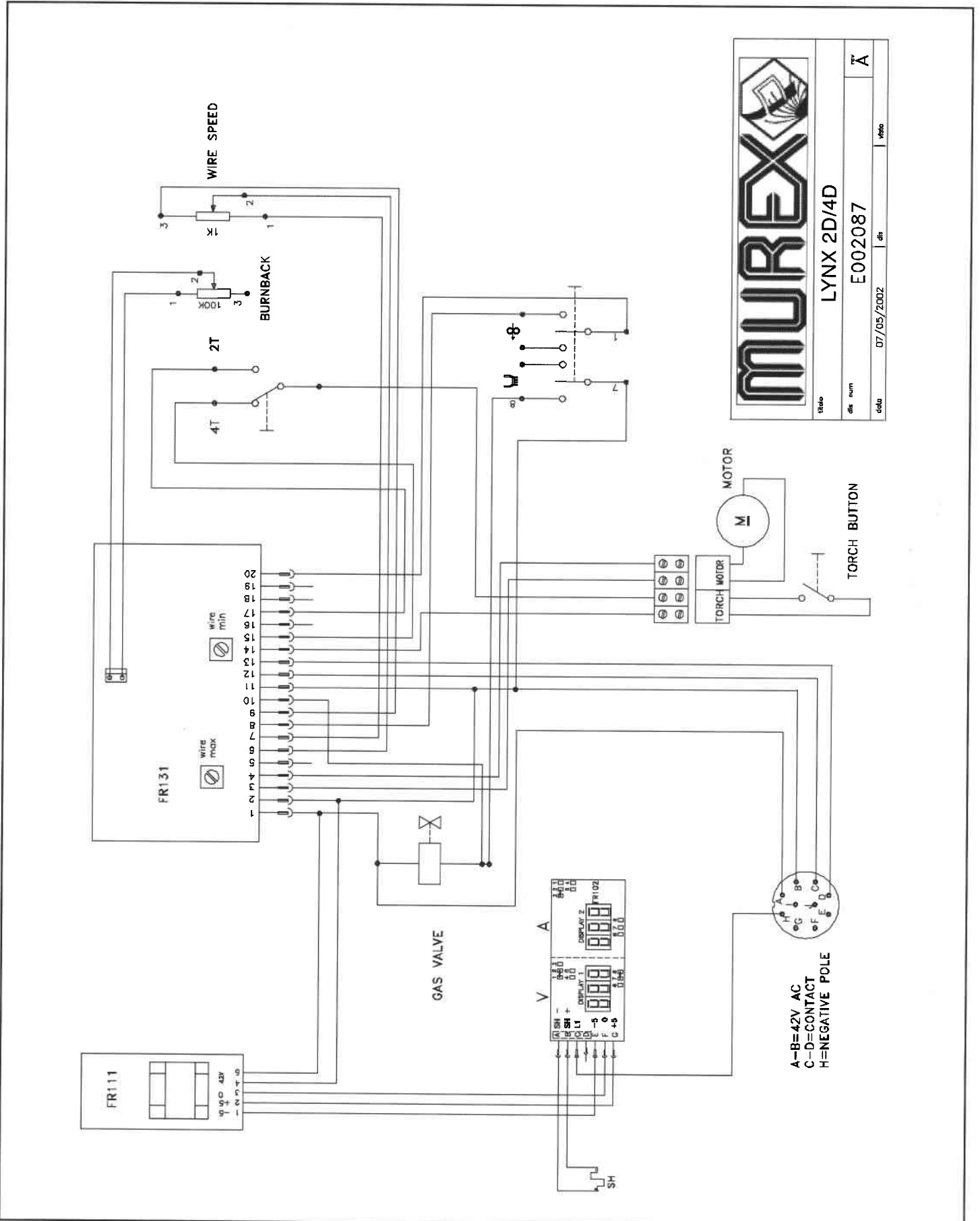
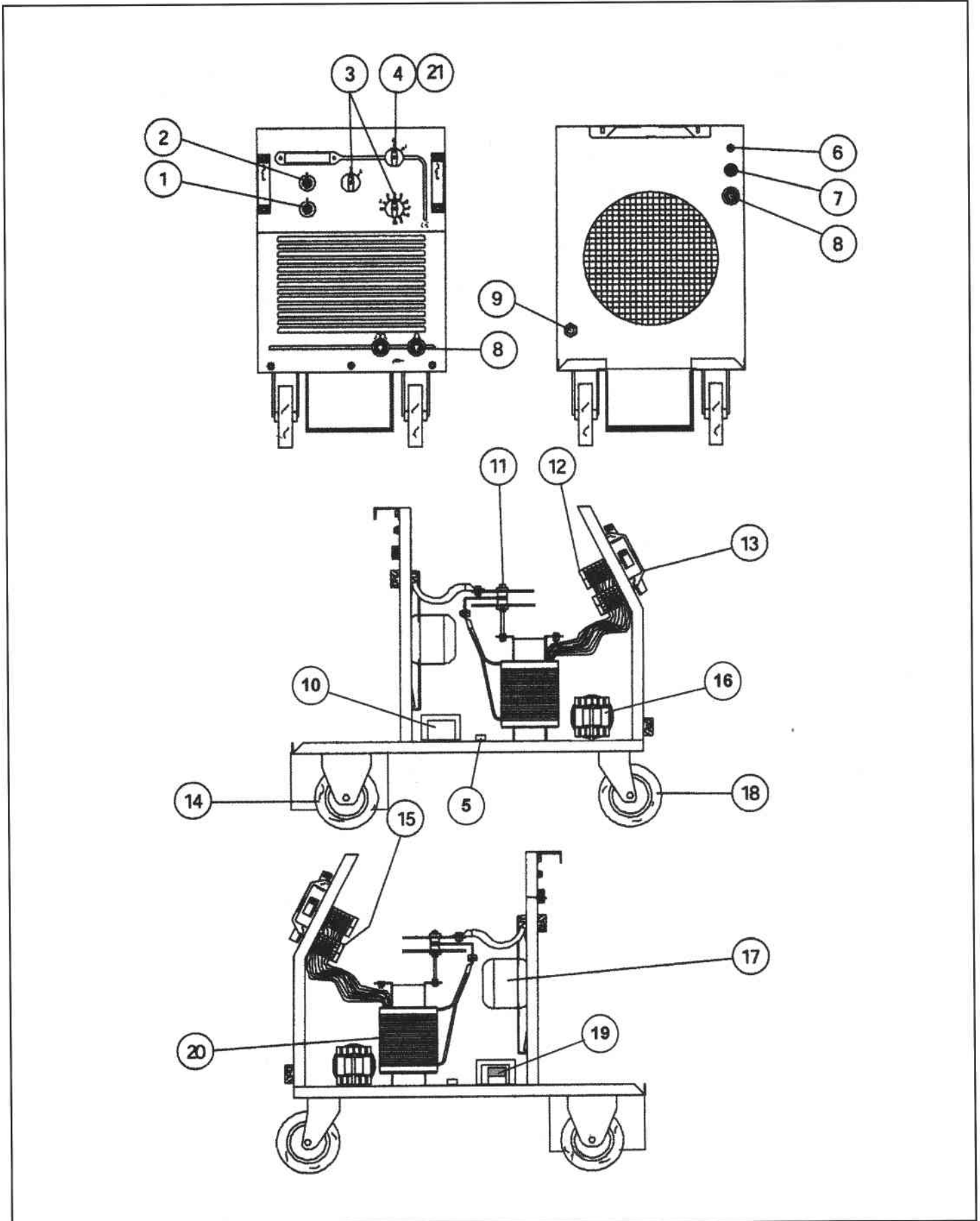


CIRCUIT DIAGRAM

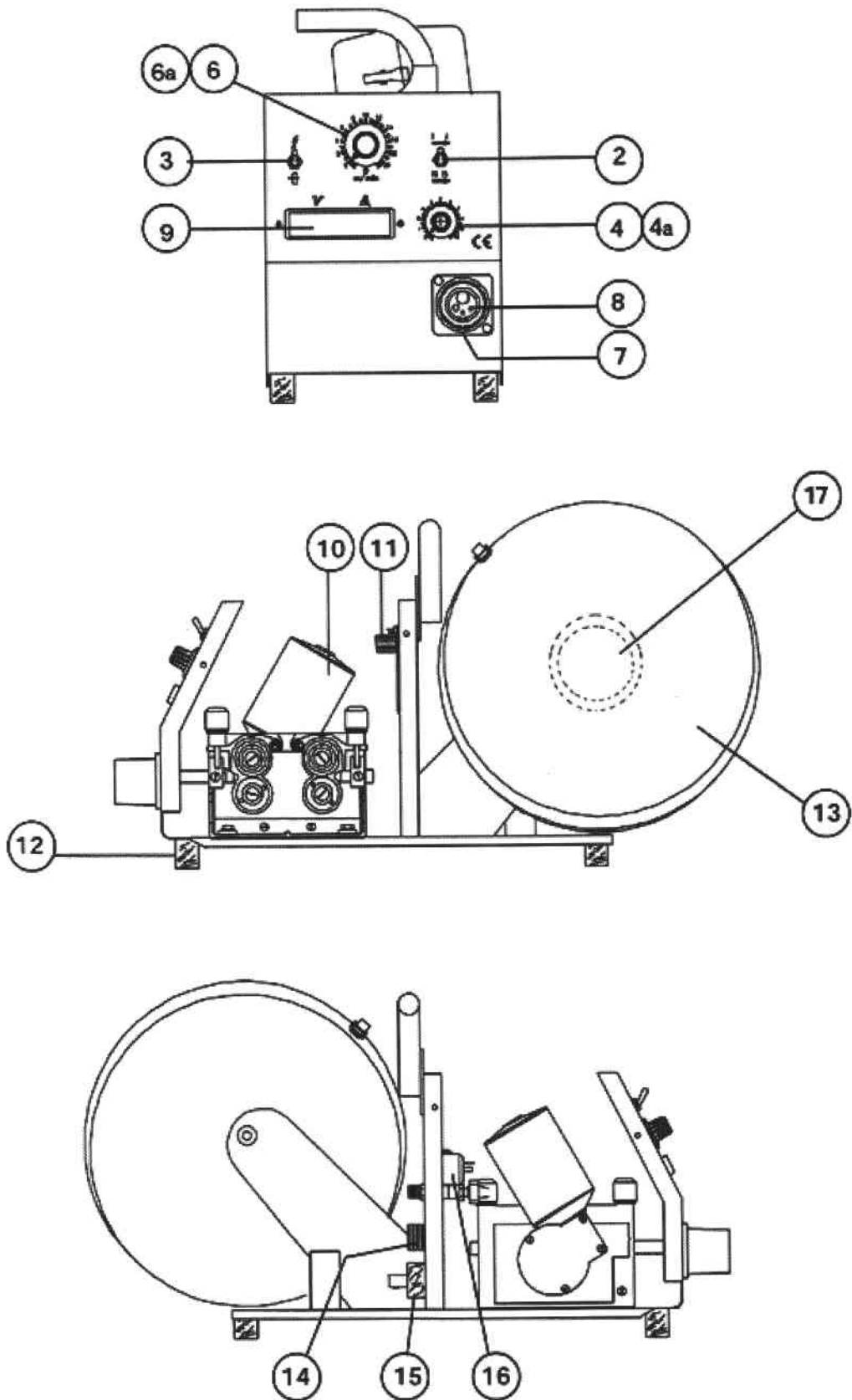


MUREX	
State	LYNX 2D/4D
dis num	E002087
date	07/05/2002
revo	A

PARTS LIST

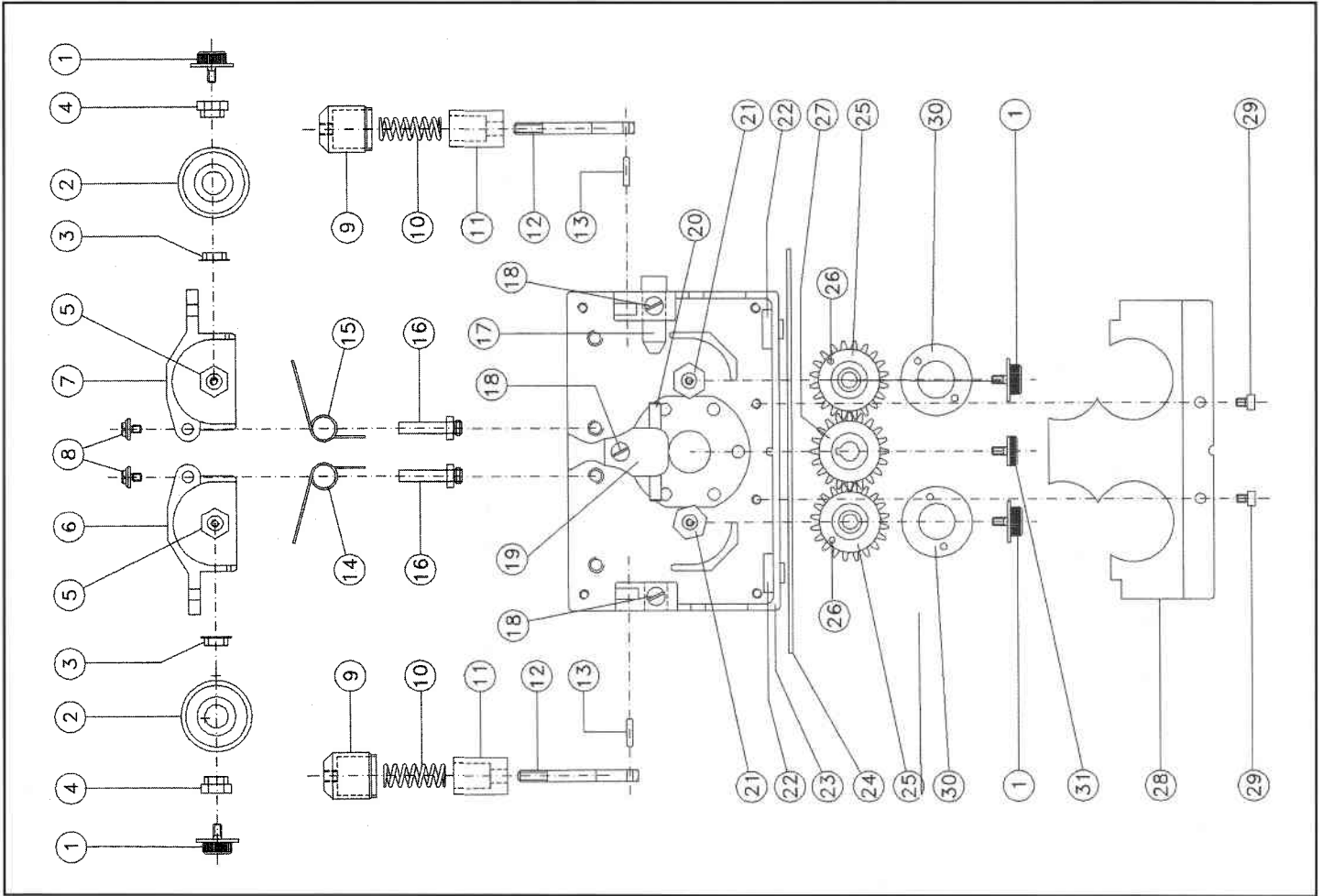


PARTS LIST

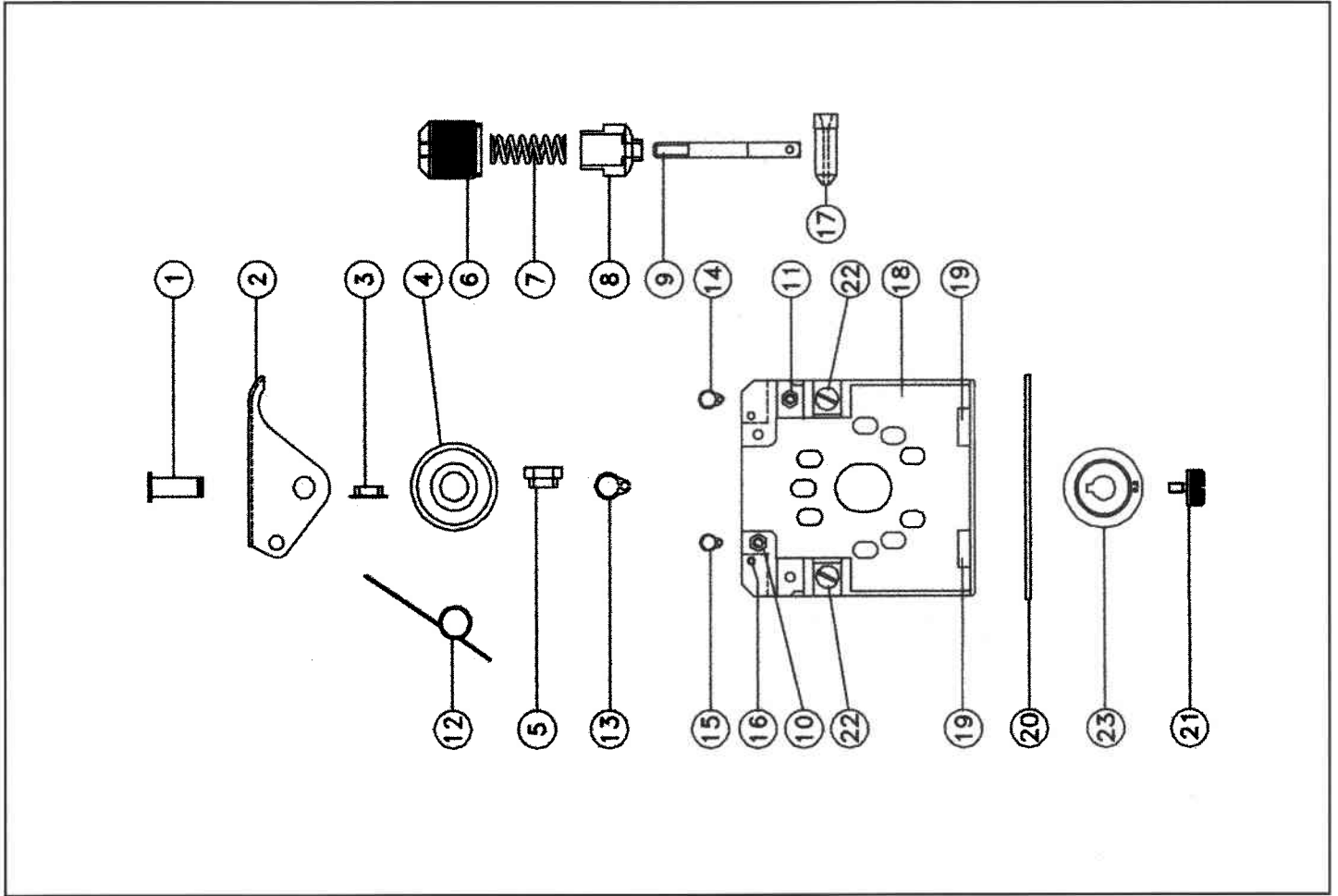


Item	Part Number	Description
2	1416084	Switch 2 Pole 2/4 Stroke
3	1416081	Switch 1 Pole Inch/Purge
4	1416074	Potentiometer 100kohm Burn-Back
4a	1416075	Knob
6	1416072	Potentiometer 1kohm Wire Speed
6a	1416073	Knob
7	1416071	Bushing
8	1416070	Central Adapter Assembly
9	1416078	Digital Volt/Ammeter PCB
-	1416079	Power Supply PCB
10	1416076	Motor
11	1416077	Main Control PCB
12	-	Rubber Foot
13	1416083	Reel Cover Assembly
14	1411519	10 pin Connector
15	678339	Dinse Connector Panel Male
16	1416080	Gas Solenoid Valve
17	1416082	Reel Hub Assembly

PARTS LIST



Item(s)	Part Number	Description
30a	1416055	Feed Roll 0.8/1.0H (pk of 2)
30b	1416056	Feed Roll 1.0/1.2H (pk of 2) as supplied
30c	1416057	Feed Roll 1.2/1.6H (pk of 2)
30d	1416058	Feed Roll 1.0/1.2S (pk of 2)
30e	1416059	Feed Roll 1.2/1.6S (pk of 2)
30f	1416060	Feed Roll 1.0/1.2T (K) (pk of 2)
30g	1416061	Feed Roll 1.2/1.6T (K) (pk of 2)
2	1416062	Pressure Roll (pk of 2)
25	1416063	Geared Feed Roll Carrier (pk of 2)
26	-	Part of item 25
27	1416064	Drive Gear
Not Shown	1416065	Outlet Guide Tube Liner
1	1416102	Feed Roll Retaining Screw (pk of 5)
31	1416103	Drive Gear Retaining Screw (pk of 2)
21	1416104	Feed Roll Assembly Axle (pk of 2)
9,10,11,12,13	1416066	Pressure Adjuster Kit: 1x Adjuster Knob (9) 1x Spring (10) 1x Barrel (11) 1x Spindle (12) 1x Pivot Pin (13)
3,4,5,6,7,8,14,15,16	1416067	Pressure Arm Kit: 1x Pressure Arm Left (6) 1x Pressure Arm Right (7) 2x Screw (8) 2x Axle (16) 2x Inner Seat (3) 2x Outer Seat (4) 1x Spring LH (14) 1x Spring RH (15) 2x Axle (5)
17,18,19,20	1416068	Guide Kit: 1x Retaining Plate (19) 1x Intermediate Guide (20) 1x Inlet Guide (17) 3x Screw (18)
22,23,24,28,29	1416069	Casting Kit: 1x Feed Plate Casting (23) 1x Insulation Plate (24) 2x Insulator (22) 1x Guard Plate (28) 2x Screw (29)



Item(s)	Part Number	Description
1,3,5,13	1416154	Pressure Roll Axle Kit
2,10,12,15,16	1416155	Pressure Arm Kit
4	1416062	Pressure Roll (pk of 2)
6,7,8,9,11,14	1416156	Pressure Adjuster Kit
17,22	1416157	Inlet Guide & Screws (2)
18,19,20	1416158	Stand & Insulators
21	1416102	Feed Roll Retaining Screw (pk of 5)
23a	1416150	0.8/1.0H Feed Roll (factory fitted)
23b	1416151	1.0/1.2H Feed Roll
23c	1416152	1.0/1.2S Feed Roll
23d	1416153	1.0/1.2T Feed Roll



Murex Welding Products Limited
Hertford Road, Waltham Cross,
Herts EN8 7RP
England
Telephone: (01992) 710000

Pt. No. 100573
Issue 2